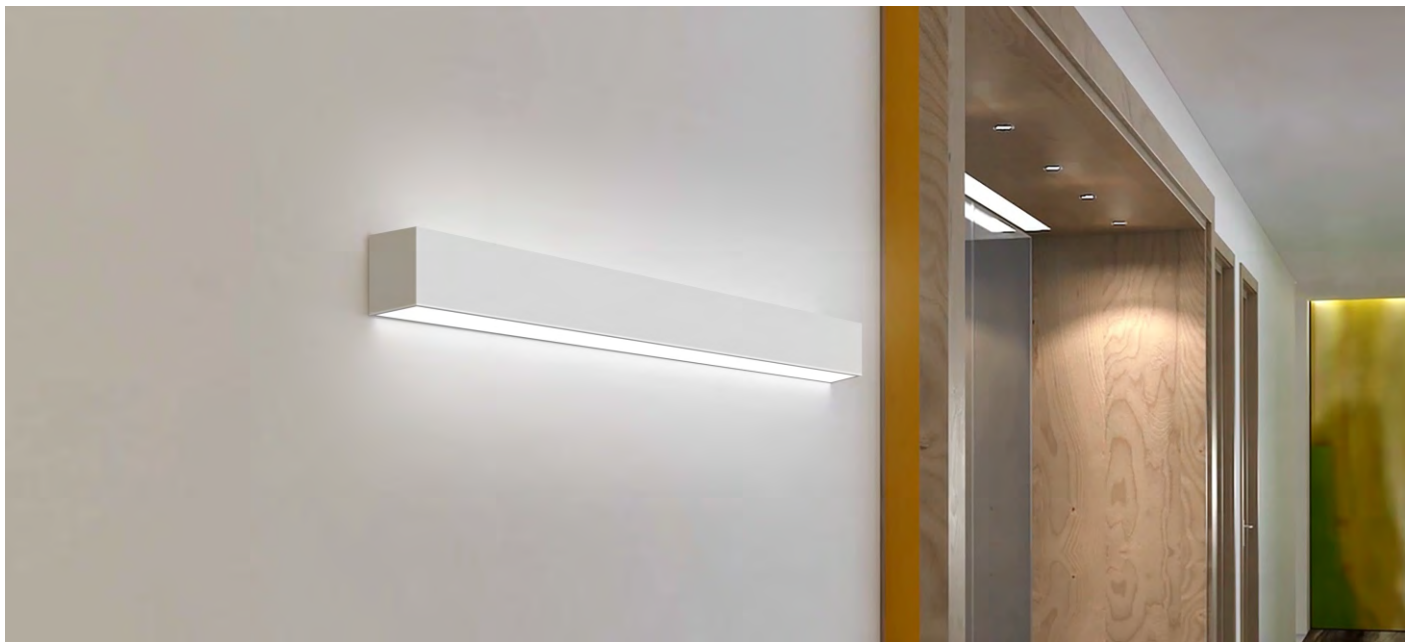


ZETA 2.3"-Wall Mount

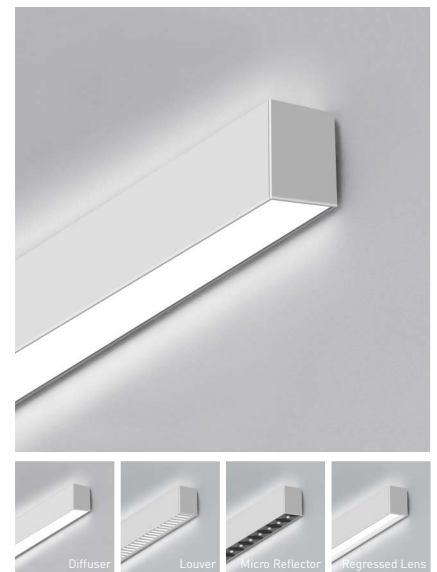
Spec-grade | Architectural LED Linear Lighting



OKT Zeta series 2.3" is available in a wall mount design, with a sleek low-profile sensibility optimal for architectural lighting applications, ideal for corridors, stairwells, and more. These timeless, streamlined forms blend well with contemporary decors and modern workplaces. It is available in 2ft , 3ft, 4ft and 8ft, simply provide wide, powerful lighting to any atmosphere with continuous runs. It can provide smooth uplight and downlight, allowing for wider spacing between fixtures and better ceiling light uniformity. With wattage and CCT adjustable function, Zeta also has the flexibility to illuminate many types of spaces.

Feature

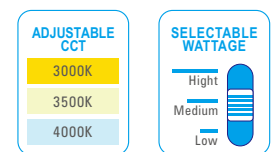
- Wattage selectable (50%/75%/100%)
- CCT adjustable from 3000K, 3500K, 4000K
- 0-10V dimming, dim to 10% or 1% options
- 7 embedded lighting distributions adjusting by dip switch
- Available in diffuser, micro reflector, louver and regressed lens
- Individual units or continuous runs



PERFORMANCE

* Check the IES file to gain the accurate data.

Lens	Length	Wattage Selectable	50% UP/50% DOWN@4000K		100% DOWN@4000K		CCT Adjustable
			Efficacy	Lumen Output	Efficacy	Lumen Output	
Diffuser	2'	20W/15W/10W	1200lm/ft	Up to 2400LM	1050m/ft	Up to 2100LM	3000K/3500K/4000K
	3'	30W/23W/15W		Up to 3600LM		Up to 3150LM	
	4'	40W/30W/20W		Up to 4800LM		Up to 4200LM	
	8'	80W/60W/40W		Up to 9600LM		Up to 8400LM	
Louver	2'	20W/15W/10W	950lm/ft	Up to 1900LM	650lm/ft	Up to 1300LM	3000K/3500K/4000K
	3'	30W/23W/15W		Up to 2850LM		Up to 1950LM	
	4'	40W/30W/20W		Up to 3800LM		Up to 2600LM	
	8'	80W/60W/40W		Up to 7600LM		Up to 5200LM	
Regress Lens	2'	20W/15W/10W	1100lm/ft	Up to 2200LM	900lm/ft	Up to 1800LM	3000K/3500K/4000K
	3'	30W/23W/15W		Up to 3300LM		Up to 2700LM	
	4'	40W/30W/20W		Up to 4400LM		Up to 3600LM	
	8'	80W/60W/40W		Up to 8800LM		Up to 7200LM	
Micro Reflector	2'	20W/15W/10W	1150lm/ft	Up to 2300LM	900lm/ft	Up to 1800LM	Fixed CCT 3000K/3500K/4000K
	3'	30W/23W/15W		Up to 3450LM		Up to 2700LM	
	4'	40W/30W/20W		Up to 4600LM		Up to 3600LM	
	8'	80W/60W/40W		Up to 9200LM		Up to 7200LM	



Remark:
Lumens are subject to maximum wattage, 4000K with white finish only. All efficacy is ±5% base on different CCT and lighting distributions.

ZETA 2.3"-Wall Mount

Spec-grade | Architectural LED Linear Lighting



PRODUCT ORDERING GUIDE

Example: ZE4B-WH-40W-D10-80TW-A-DF (Wall)

Default Settings: Maximum wattage, 4000K and 100% down.

ZE					80		A		(Wall)
Product Series	Length	Finish	Wattage	0-10V Dim	CRI	CCT	Lighting Distribution	Down Lens	Just to remark the mounting. Don't show in product label.
ZE ZETA Linear	2B QuickShip 2 Feet Bold	WH QuickShip White	20W QuickShip 20W/15W/10W Selectable for 2ft	D10 QuickShip 110-277V AC Dims to 10%	80 QuickShip 80+ CRI (Standard)	TW QuickShip CCT adjustable 3000K/3500K/ 4000K for diffuser, louer and regressed lens	A QuickShip Adjustable by visible Dip switch: 100% downlight 90% down, 10% up 70% down, 30% up 50% down, 50% up 30% down, 70% up 10% down, 90% up 100% uplight	DF QuickShip Diffuser	
	3B QuickShip 3 Feet Bold	BL QuickShip Black	30W QuickShip 30W/23W/15W Selectable for 3ft	Tested Dimmers: Lutron® Diva-Dvtv, Leviton® IP-710-DL.	90 QuickShip 90+ CRI*	35 QuickShip 3500K		LV QuickShip Louver	
	4B QuickShip 4 Feet Bold	CM Custom *	40W QuickShip 40W/30W/20W Selectable for 4ft	D01 QuickShip 110-277V AC Dim to 1%		40 QuickShip 4000K		MR QuickShip Micro Reflector	
	8B QuickShip 8 Feet Bold		80W QuickShip 80W/60W/40W Selectable for 8ft					RL QuickShip Regressed Lens	

Note: UL Listed Model#s have been updated. The actual product label may appear to be different than actual specsheet.

OPTIONAL ACCESSORY

Non-lit Joiner	Mounting & Optional Function
<p>SJ QuickShip Straight Line Joiner (Optional 40' rolling lens)</p> <p>5.51" 2.2" 1.46" SJ Line Joiner</p>	<p>SMK QuickShip Surface Mounting Kits</p> <p>EMI QuickShip Emergency Function (Built-in 8W LED emergency driver and indicator before delivery, only for 4ft and 8ft lengths.)</p> <p>EME QuickShip Emergency Function (Only external 8w or 25w LED emergency driver with standard indicator available and need field-installed.)</p>

CUSTOM LINE OR SHAPE ORDERING GUIDE

Example: ZEB-W-C18-WH-D10

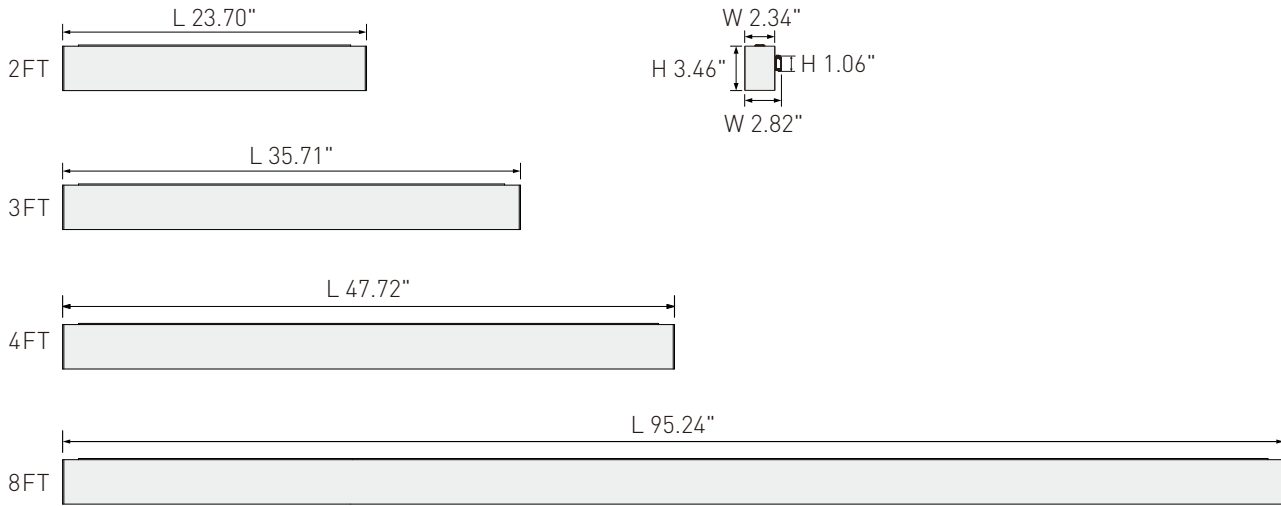
SHAPE/LENGTH* (CHOOSE 1 & ENTER LENGTH IN FEET)	Finish	Down Lens	0-10V Dim
<p>ZEB-W-C Individual 6ft/ up to 8ft Continuous Run Section QuickShip (Enter length in product code above, ex. C18)</p> <p>A (C) Continuous Run</p>	<p>WH QuickShip White</p> <p>BL QuickShip Black</p> <p>CM Custom *</p>	<p>DF QuickShip Diffuser</p> <p>LV QuickShip Louver ONLY 4ft/8ft white and black available for Quickship</p> <p>MR QuickShip Micro Reflector ONLY 4ft white available for Quickship</p> <p>RL QuickShip Regressed Lens</p>	<p>D10 QuickShip 110-277V AC Dims to 10% Tested Dimmers: Lutron® Diva-Dvtv, Leviton® IP-710-DL.</p> <p>D01 QuickShip 110-277V AC Dim to 1%</p>

* Means additional cost and/or lead time on customized fixtures may apply. Some fixtures require an MOQ. Please contact your sales rep for more information.

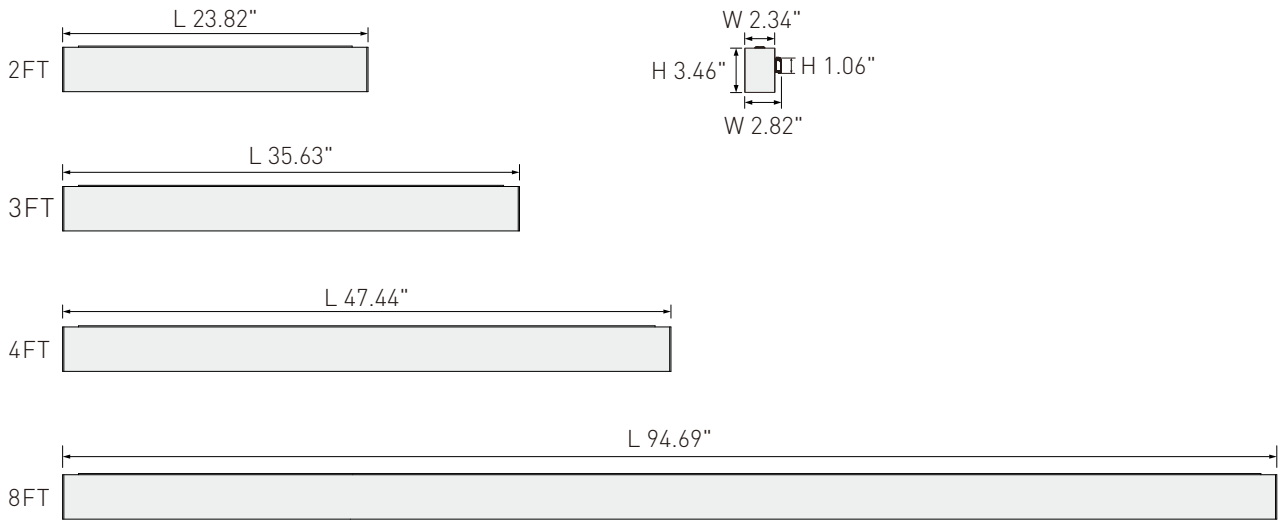
Damp rated for ambient operating temperature of -20°C to +40°C (-4° to +104°F)

DIMENSIONS

Diffuser and Regressed Lens



Micro Reflector and Louver



ZETA 2.3"-Wall Mount

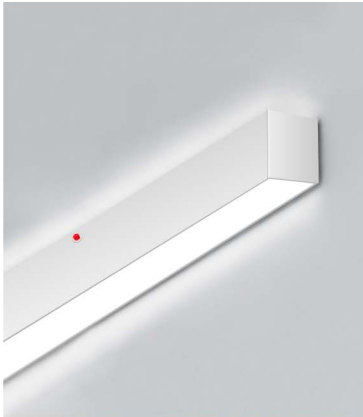
Spec-grade | Architectural LED Linear Lighting



OPTIONAL FUNCTION

► Emergency Option

OKT Lighting offers UL& CEC Listed LED emergency drivers. They could be factory installed or field installed. When AC power fails it, immediately switches to the emergency mode operating for lighting minimum 90 minutes. When AC power is restored it, automatically returns to the charging mode which meets critical life-safety lighting requirements.



EMI

Built-in LED emergency driver

OKT Lighting offers the LED luminaire with built-in 8w LED emergency driver to provide critical illumination when normal power fails for any reason. It can save your labor cost with simple wiring.

Specification For LED Emergency Driver

Output Power	8 Watts
Output Voltage	15-54V DC
Input Current	70 mA (Max)
Input Power	3.2 Watts (Max)
Input Voltage	110-277VAC, 50-60Hz
Emergency Operation	≥90 Minutes
Standby Power	< 0.4W
Operating Temp	0°C to 50°C
Battery	Lithium
Recharge	24 Hrs
Certificate	UL , CEC

Code-Required Testing

• Initial Self-Test After Installation

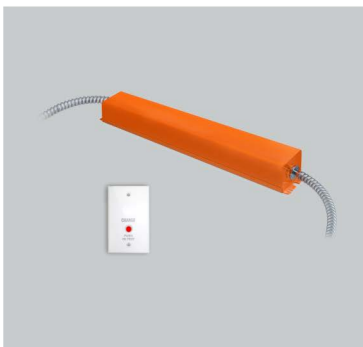
It will perform a functional test in 3 seconds after the driver installed to check the wiring and battery output when work. The indicator LED will be off or flicker in case of a failure or an error.

• Second Self-Test In 120 Minutes

It will perform second test in 120 minutes to check again. Upgrade in Gen 3: Repeat 4 times in every 120 minutes if fail in the second test.

• Monthly Self-Test

It will automatically perform a test every 30 days with a duration of 3 seconds, in which the wiring and battery output are checked. In case of a failure or an error, the indicator LED will be off or flicker.



EME

Order Separated LED emergency driver

Optional 8w or 25w high voltage LED emergency driver can be provided if you need and do it wiring in field. For more info or spec sheet please visit our, website or contact sales.

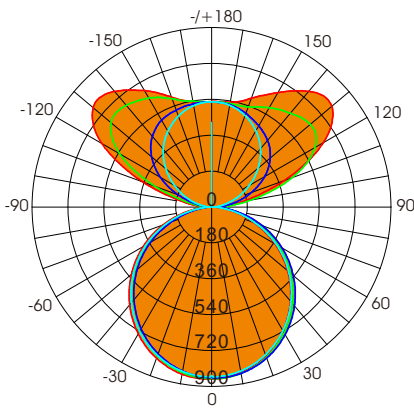
ZETA 2.3"-Wall Mount

Spec-grade | Architectural LED Linear Lighting



DISTRIBUTION DIAGRAM

4' / Diffuser/50% Up,50% Down/ 4000K



Lumens: 4739.1 Lm
Watts: 40 W
LPW: 118.48 Lm/W
CCT: 4000K

UNIT: cd
— C0/180, 360°
— C30/270, 360°
— C60/240, 360°
— C90/270, 360°

Zonal Flux Diagram

τ	C0	C45	C90	C135	C180
5	857.7	858.1	847.3	841.0	861.4
10	844.1	849.1	835.1	821.8	851.1
15	822.1	831.6	815.6	795.4	833.5
20	792.8	807.2	788.8	762.5	807.4
25	757.1	775.5	755.5	723.0	774.6
30	716.2	737.2	715.9	677.7	735.6
35	667.9	693.4	670.2	627.5	690.3
40	616.1	644.0	619.9	572.8	639.9
45	559.4	589.1	564.3	513.7	585.0
50	499.2	530.9	505.0	451.3	525.8
55	434.1	468.3	441.5	385.1	462.7
60	365.3	402.1	374.7	315.6	395.8
65	295.4	332.9	305.0	244.5	326.8
70	224.4	260.6	232.0	174.7	254.3
75	154.3	189.1	161.3	108.6	184.1
80	90.07	120.5	95.53	51.77	117.0
85	36.95	60.98	41.01	10.68	58.12
90	39.69	49.44	5.334	21.91	41.89
95	85.06	88.27	21.25	52.16	75.79
100	151.2	163.7	51.22	102.9	136.5
105	253.3	249.8	89.41	186.2	230.4
110	384.4	328.2	131.1	278.8	362.9
115	522.2	393.5	175.2	367.8	502.4
120	647.4	443.0	219.3	441.8	634.5
125	736.9	476.4	263.0	496.2	724.5
130	787.6	497.4	305.2	530.7	775.5
135	790.8	509.9	345.3	550.9	783.9
140	758.4	518.4	382.3	561.8	757.7
145	711.4	519.9	415.5	567.2	716.9
150	663.4	517.6	443.7	564.1	675.3
155	619.4	514.2	468.7	554.3	630.8
160	581.3	514.0	489.8	540.6	586.6
165	549.4	519.6	506.9	535.1	554.4
170	534.3	524.9	518.7	530.1	537.2
175	531.2	528.0	526.1	528.6	529.6
180	529.9	529.8	529.8	529.8	529.9
DEG	LUMINOUS INTENSITY:cd				

Zonal Lumens

τ	φ total
0-5	20.42
5-10	80.98
10-15	179.6
15-20	312.7
20-25	475.8
25-30	663.4
30-35	869.1
35-40	1086
40-45	1307
45-50	1525
50-55	1733
55-60	1924
60-65	2092
65-70	2230
70-75	2336
75-80	2408
80-85	2448
85-90	2466
90-95	2489
95-100	2533
100-105	2611
105-110	2730
110-115	2888
115-120	3081
120-125	3295
125-130	3517
130-135	3735
135-140	3940
140-145	4125
145-150	4287
150-155	4426
155-160	4539
160-165	4626
165-170	4689
170-175	4726
175-180	4739
	UNIT: lm

Luminance cd/(m2)

G(DEG)	C0/180	C90/270
85	5888	6535
80	7204	7641
75	8283	8654
70	9112	9422
65	9708	10024
60	10148	10409
55	10512	10690
50	10787	10912
45	10988	11085

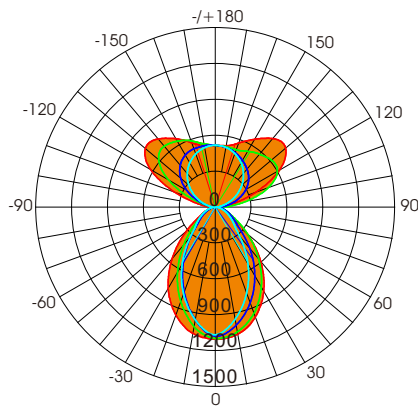
ZETA 2.3"-Wall Mount

Spec-grade | Architectural LED Linear Lighting



DISTRIBUTION DIAGRAM

4"/Louver/50% Up,50% Down/ 4000K



AVERAGE BEAM ANGLE(50%): 191.7°

Lumens: 3865.5 Lm
Watts: 40 W
LPW: 96.64 Lm/W
CCT: 4000K

UNIT: cd
— C0/180, 324.8°
— C30/270, 314.8°
— C60/240, 65.6°
— C90/270, 61.7°

Zonal Flux Diagram

τ	C0	C45	C90	C135	C180
5	1100	1077	1028	1015	1096
10	1080	1035	954.1	927.2	1072
15	1041	977.1	866.4	828.8	1028
20	979.0	906.2	768.3	723.1	961.9
25	903.0	823.8	661.9	612.2	881.6
30	812.0	730.3	548.8	499.4	787.4
35	706.6	628.1	432.8	390.0	679.1
40	591.3	522.4	316.4	290.5	560.6
45	471.1	417.4	235.2	206.1	439.0
50	351.7	316.7	194.1	152.0	319.5
55	244.0	231.3	158.3	115.4	215.3
60	160.0	176.7	126.5	85.60	138.9
65	117.8	138.1	98.45	60.39	105.0
70	83.27	105.6	73.47	38.44	73.07
75	55.29	77.53	51.06	19.18	46.75
80	32.44	53.30	31.05	2.405	25.50
85	13.97	49.71	13.08	0.4994	7.709
90	29.54	66.04	1.446	0.4677	28.35
95	70.36	110.9	14.68	27.90	68.82
100	133.0	190.9	43.89	68.63	129.1
105	228.5	270.2	80.50	137.4	223.0
110	355.3	337.7	121.1	230.3	353.8
115	492.0	391.6	164.4	234.5	492.5
120	619.5	430.1	208.1	409.1	623.0
125	713.4	455.4	251.6	474.8	712.6
130	768.4	471.2	292.9	520.3	762.4
135	777.3	482.8	332.0	546.0	769.7
140	748.7	488.8	368.7	559.9	743.5
145	702.6	489.1	402.4	567.3	703.2
150	654.4	489.0	431.7	567.4	661.0
155	609.5	490.4	456.6	557.6	615.5
160	570.4	497.4	477.9	544.6	571.4
165	537.7	505.0	495.6	530.6	539.5
170	521.3	510.4	508.1	524.3	523.3
175	517.3	513.0	515.4	517.9	516.2
180	516.7	516.6	516.5	516.6	516.7
DEG	LUMINOUS INTENSITY:cd				

Zonal Lumens

τ	φ total
0-5	25.57
5-10	99.25
10-15	214.1
15-20	361.0
20-25	529.2
25-30	707.3
30-35	883.4
35-40	1047
40-45	1189
45-50	1308
50-55	1405
55-60	1483
60-65	1543
65-70	1590
70-75	1624
75-80	1647
80-85	1660
85-90	1672
90-95	1692
95-100	1734
100-105	1808
105-110	1919
110-115	2069
115-120	2252
120-125	2457
125-130	2672
130-135	2883
135-140	3082
140-145	3263
145-150	3422
150-155	3558
155-160	3669
160-165	3755
165-170	3816
170-175	3853
175-180	3866
	UNIT: lm

Luminance cd/(m2)

G(DEG)	C0/180	C90/270
85	2227	2085
80	2595	2483
75	2967	2740
70	3381	2983
65	3871	3236
60	4444	3513
55	5907	3834
50	7599	4195
45	9253	4620

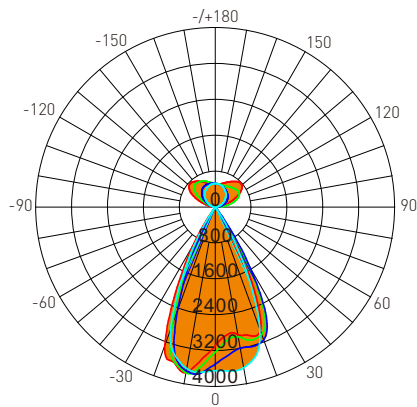
ZETA 2.3"-Wall Mount

Spec-grade | Architectural LED Linear Lighting



DISTRIBUTION DIAGRAM

4'/Micro Reflector/50% Up,50% Down/ 4000K



Lumens: 4530.0 Lm
Watts: 40 W
LPW: 113.25 Lm/W
CCT: 4000K

UNIT: cd
— C0/180, 51.8°
— C30/270, 51.9°
— C60/240, 51.1°
— C90/270, 49.5°

Zonal Flux Diagram

τ	C0	C45	C90	C135	C180
5	2868	3126	3668	3715	3397
10	2880	3036	3634	3615	3745
15	2965	3158	3455	2948	3584
20	2939	3141	2911	1757	3294
25	2099	2754	1812	787.4	2093
30	819.2	1675	767.6	84.95	1038
35	57.67	519.7	112.1	5.340	215.8
40	5.200	38.70	6.196	3.696	5.573
45	3.849	4.987	2.988	2.833	3.959
50	2.820	3.517	1.928	1.993	3.010
55	2.048	2.444	1.189	1.486	2.168
60	1.700	1.590	0.8656	1.277	1.783
65	1.470	1.073	0.7377	1.168	1.502
70	1.244	0.8401	0.6042	0.9728	1.231
75	0.9286	0.6696	0.5020	0.8287	0.9745
80	0.6716	0.5905	0.3831	0.7114	0.7084
85	0.5373	29.27	0.2523	0.4937	0.5233
90	30.98	71.66	0.2141	0.0995	29.17
95	75.71	141.9	15.05	24.16	67.03
100	142.1	225.0	44.13	62.52	127.1
105	242.7	301.3	80.91	126.9	220.4
110	372.9	363.9	121.7	217.7	351.7
115	510.1	410.7	165.2	310.7	490.8
120	635.7	442.3	209.3	395.6	622.1
125	724.8	462.4	252.9	463.4	710.8
130	775.0	475.8	294.3	511.7	761.3
135	779.1	483.6	333.9	540.5	769.3
140	747.9	487.4	371.4	557.4	744.0
145	702.3	487.4	407.0	568.1	704.9
150	655.7	488.6	438.3	571.1	664.9
155	612.7	494.3	464.0	564.6	620.9
160	575.3	503.6	486.8	554.1	577.9
165	544.1	512.1	505.8	540.0	547.0
170	529.8	517.2	519.4	534.1	531.5
175	527.0	523.3	527.4	527.4	525.0
180	526.1	525.7	525.2	525.2	526.1
DEG	LUMINOUS INTENSITY:cd				

Zonal Lumens

τ	φ total
0-5	82.46
5-10	328.5
10-15	726.1
15-20	1229
20-25	1728
25-30	2096
30-35	2265
35-40	2302
40-45	2306
45-50	2307
50-55	2308
55-60	2309
60-65	2310
65-70	2310
70-75	2311
75-80	2311
80-85	2313
85-90	2320
90-95	2342
95-100	2386
100-105	2463
105-110	2576
110-115	2727
115-120	2909
120-125	3113
125-130	3327
130-135	3538
135-140	3737
140-145	3919
145-150	4079
150-155	4216
155-160	4329
160-165	4417
165-170	4480
170-175	4517
175-180	4530
	UNIT: lm

Luminance cd/(m2)

G(DEG)	C0/180	C90/270
85	86	40
80	54	31
75	50	27
70	50	25
65	48	24
60	47	24
55	50	29
50	61	42
45	76	59

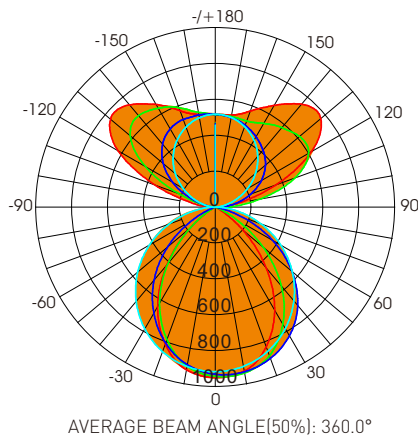
ZETA 2.3"-Wall Mount

Spec-grade | Architectural LED Linear Lighting



DISTRIBUTION DIAGRAM

4'/Regressed Lens/50% Up,50% Down/ 4000K



Lumens: 4070.6 Lm
Watts: 40 W
LPW: 101.77 Lm/W
CCT: 4000K

UNIT: cd
— C0/180, 360°
— C30/270, 360°
— C60/240, 360°
— C90/270, 360°

Zonal Flux Diagram

τ	C0	C45	C90	C135	C180
5	946.0	943.5	913.4	885.0	943.1
10	928.1	938.5	901.8	838.4	921.2
15	891.1	924.5	882.1	780.3	879.6
20	829.8	899.4	855.9	712.6	814.6
25	753.7	861.8	822.4	634.8	735.7
30	663.4	806.8	781.9	546.8	643.6
35	558.1	738.1	734.7	449.6	536.2
40	442.7	657.8	682.4	347.7	418.9
45	322.4	567.3	623.8	243.4	299.6
50	204.9	466.2	560.3	143.4	181.6
55	101.4	356.7	492.9	60.86	84.70
60	27.77	244.0	420.8	10.84	16.86
65	4.112	135.5	345.9	1.668	4.051
70	2.630	47.83	268.2	1.816	2.600
75	1.706	3.690	190.8	1.167	1.677
80	1.065	1.703	117.4	0.7295	1.033
85	0.7453	18.53	49.22	0.4487	0.6440
90	29.42	53.07	1.509	0.3989	28.29
95	70.27	110.8	14.82	27.83	68.73
100	132.9	190.9	44.10	68.59	129.0
105	228.4	270.2	80.81	137.5	222.8
110	355.1	337.7	121.5	230.3	353.6
115	491.8	391.5	164.9	324.7	492.3
120	619.3	430.1	208.7	409.3	622.8
125	713.2	455.4	252.3	475.1	712.4
130	768.2	471.2	293.6	520.7	762.1
135	777.1	482.9	332.7	546.4	769.5
140	748.5	488.9	369.4	560.2	743.3
145	702.4	489.3	403.0	567.7	703.0
150	654.2	489.1	432.2	567.7	660.9
155	609.3	490.4	457.0	557.9	615.3
160	570.3	497.3	478.0	544.8	571.3
165	537.6	504.9	495.7	530.8	539.4
170	521.2	510.3	508.1	524.4	523.2
175	517.2	512.8	515.3	518.0	516.1
180	516.6	516.4	516.4	516.4	516.6
DEG	LUMINOUS INTENSITY:cd				

Zonal Lumens

τ	φ total
0-5	22.14
5-10	87.59
10-15	193.3
15-20	334.1
20-25	503.1
25-30	691.8
30-35	890.3
35-40	1088
40-45	1275
45-50	1441
50-55	1579
55-60	1686
60-65	1763
65-70	1815
70-75	1846
75-80	1862
80-85	1868
85-90	1875
90-95	1894
95-100	1936
100-105	2010
105-110	2122
110-115	2272
115-120	2455
120-125	2661
125-130	2876
130-135	3087
135-140	3287
140-145	3468
145-150	3627
150-155	3763
155-160	3874
160-165	3960
165-170	4021
170-175	4058
175-180	4071
	UNIT: lm

Luminance cd/(m2)

G(DEG)	C0/180	C90/270
85	119	7843
80	85	9390
75	92	10237
70	107	10891
65	135	11369
60	771	11690
55	2455	11935
50	4427	12107
45	6332	12253