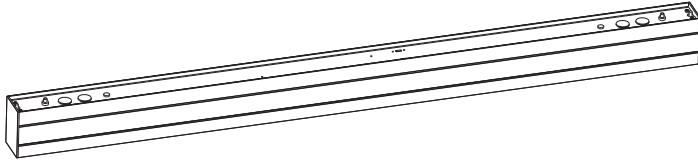




RISK OF FIRE AND ELECTRICAL SHOCK. FIXTURE MUST BE INSTALLED BY A QUALIFIED ELECTRICIAN ONLY IN ACCORDANCE WITH NATIONAL, LOCAL BUILDING AND ELECTRICAL CODES. DISCONNECT POWER AT ELECTRICAL PANEL BEFORE SERVICING.

The product styles you received

First style: finished product



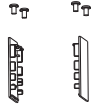
Second style: semi-finished product



① Housing

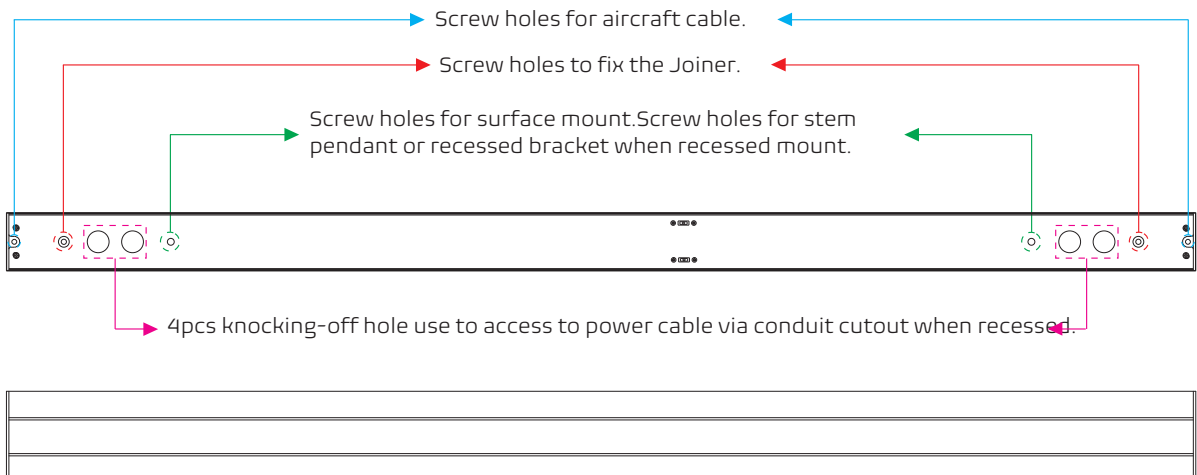


② Down led module



③ End caps

2.3" Width Linear - 1



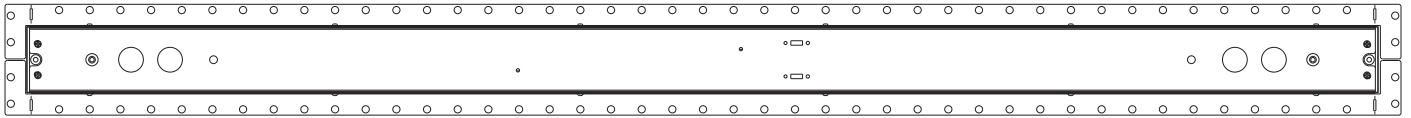


RISK OF FIRE AND ELECTRICAL SHOCK. FIXTURE MUST BE INSTALLED BY A QUALIFIED ELECTRICIAN ONLY IN ACCORDANCE WITH NATIONAL, LOCAL BUILDING AND ELECTRICAL CODES. DISCONNECT POWER AT ELECTRICAL PANEL BEFORE SERVICING.

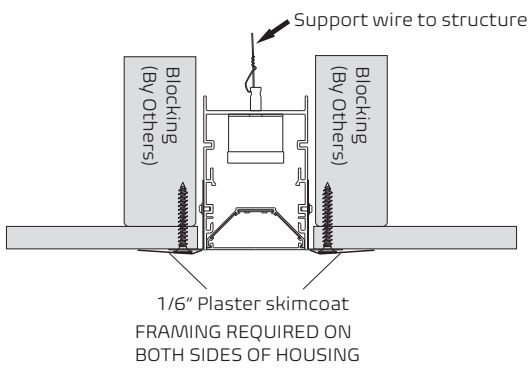
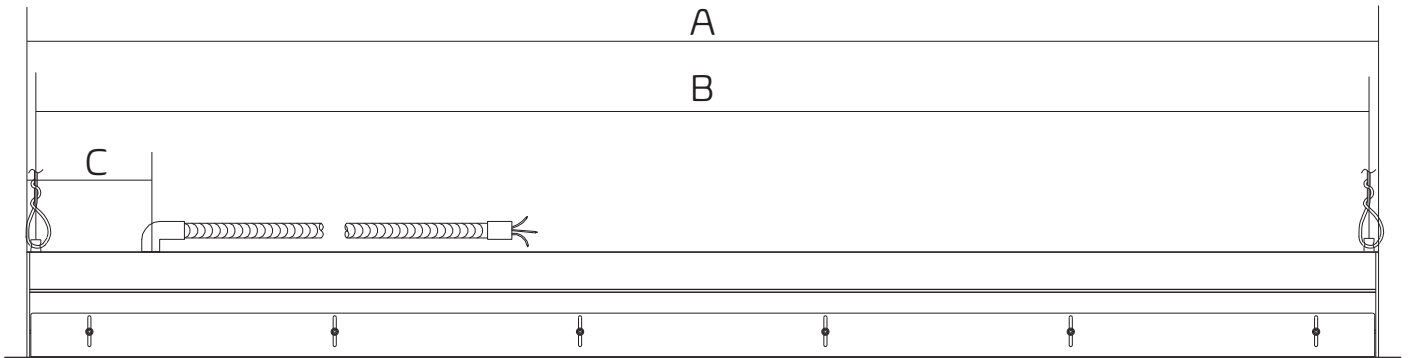
Drywall

Trimless

Top View



Side View



*Dry ceiling suspension cables must be installed before installing ceiling.

DRY CEILING - DIMENSIONS			
Nominal Length	"A" Housing Length	"B" Wire Rope	"C" Feed Location
	Feet	Feet	Inch
2 ft.	1.98'	1.92'	3.58"
3 ft.	2.98'	2.94'	3.58"
4 ft.	3.98'	3.94'	3.58"
8 ft.	7.96'	7.90'	3.58"



RISK OF FIRE AND ELECTRICAL SHOCK. FIXTURE MUST BE INSTALLED BY A QUALIFIED ELECTRICIAN ONLY IN ACCORDANCE WITH NATIONAL, LOCAL BUILDING AND ELECTRICAL CODES. DISCONNECT POWER AT ELECTRICAL PANEL BEFORE SERVICING.

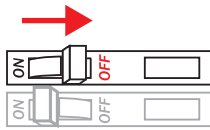
IMPORTANT

1. Read all instructions.
2. Install in accordance with national and local electrical code regulations.
3. This product is intended to be installed and serviced by a qualified, licensed electrician.
4. Do not install in wet locations. For dry and damp use only.
5. Turn off electrical power before installing or servicing fixture in any way.
6. To reduce the risk of fire and overheating, make sure all connections are tight.
7. Under no circumstances can the lighting fixture be covered with heat insulation gasket or similar materials.
8. The maximum connection of each input line is 40FT in 120AC, 100FT in 277AC.

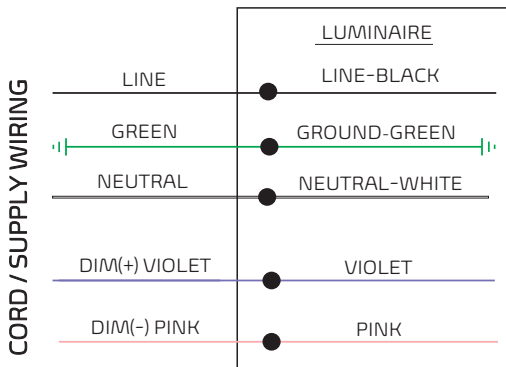
SHOCK HAZARD



May result in serious injury or death. Turn power OFF at circuit breaker prior to installation or servicing.



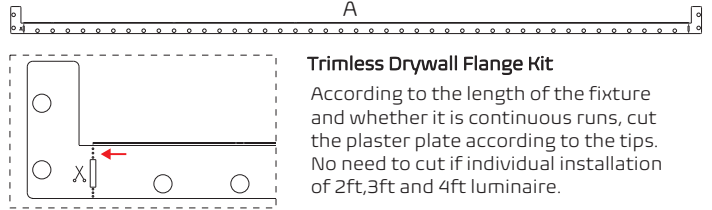
WIRING



Please isolate two dimming wires by P2 terminal individually if no need dimming; Must connect wires with corresponding colors as shown.

PARTS LISTS

MUD-IN DRYWALL



Trimless Drywall Flange Kit

According to the length of the fixture and whether it is continuous runs, cut the plaster plate according to the tips. No need to cut if individual installation of 2ft,3ft and 4ft luminaire.

B



Screws

Screws to fix the drywall flange kit to housing

C



Screws

Screws to fix the drywall flange kit to drywall

D



PC Diffuser

Optional continuous rolling lens which can reach seamless continue runs up to 42' is available.

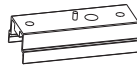
E



Silicone Seal

Note: Silicone seal is used to seal seams that may appear at both ends of luminaires when multiple connections.

F



"-" Joiner

G



Safety Stud

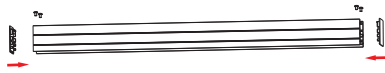


RISK OF FIRE AND ELECTRICAL SHOCK. FIXTURE MUST BE INSTALLED BY A QUALIFIED ELECTRICIAN ONLY IN ACCORDANCE WITH NATIONAL, LOCAL BUILDING AND ELECTRICAL CODES. DISCONNECT POWER AT ELECTRICAL PANEL BEFORE SERVICING.

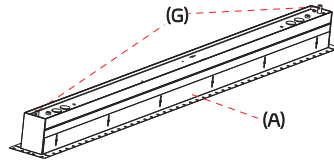
BEFORE CONNECTING

INDEPENDENT INSTALLATION

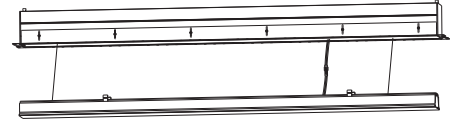
① Install end caps as shown.



② Install drywall flange kit (A) and safety stud (G) as shown

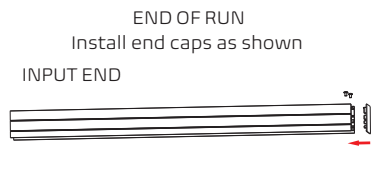
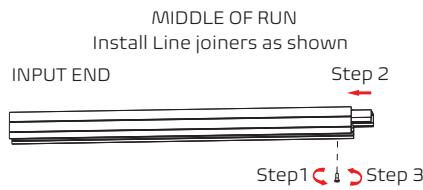
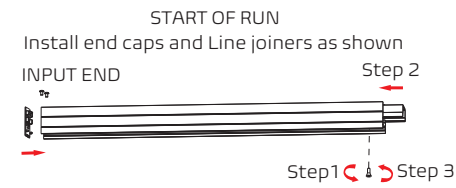


③ Secure the LED modules with aircraft cable and connect the DC male and female terminals

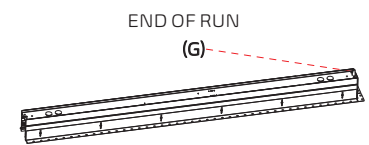
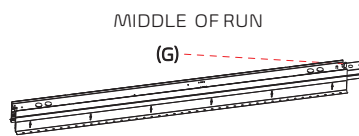
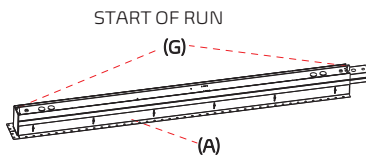


MULTIPLE LUMINAIRES CONNECTION – LINE CONNECTION

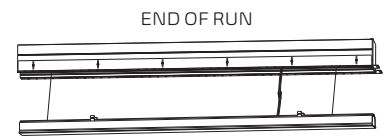
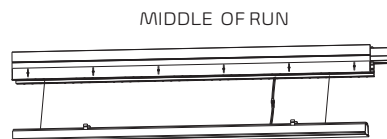
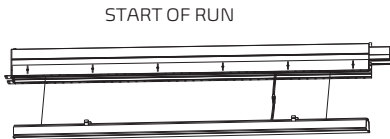
① Install end caps and line joiners



② Install drywall flange kit (A) and safety stud (G) as shown



③ Secure the LED modules with aircraft cable and connect the DC male and female terminals

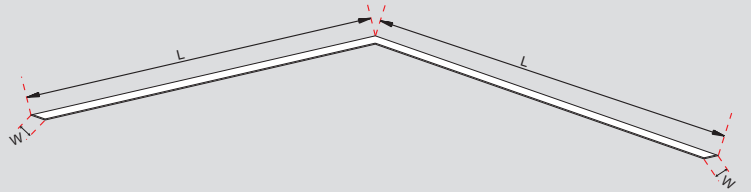


2.3" Width RECESSED LED

ARCHITECTURAL LED LUMINAIRE DRY CEILING - Trimless Drywall Wood Panel

⚠ RISK OF FIRE AND ELECTRICAL SHOCK. FIXTURE MUST BE INSTALLED BY A QUALIFIED ELECTRICIAN ONLY IN ACCORDANCE WITH NATIONAL, LOCAL BUILDING AND ELECTRICAL CODES. DISCONNECT POWER AT ELECTRICAL PANEL BEFORE SERVICING.

1 Drill a hole in the ceiling



Drill a hole in the ceiling according to the following size:

1. INDIVIDUAL INSTALLATION:

- ① 2FT: L24.17" X W2.95" (2.3" Width Linear)
- ③ 4FT: L48.19" X W2.95" (2.3" Width Linear)
- ② 3FT: L36.18" X W2.95" (2.3" Width Linear)
- ④ 8FT: L95.71" X W2.95" (2.3" Width Linear)

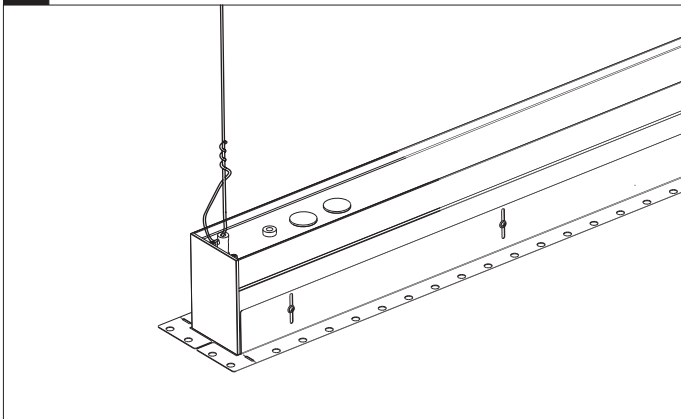
2. MULTIPLE LUMINAIRES CONNECTION - LINE :

- ① 2FT: L24.17" X W2.95" (2.3" Width Linear)
When continuous runs, each additional 2FT fixture, increase the length by 23.51".
- ② 3FT: L36.18" X W2.95" (2.3" Width Linear)
When continuous runs, each additional 3FT fixture, increase the length by 35.51".
- ③ 4FT: L48.19" X W2.95" (2.3" Width Linear)
When continuous runs, each additional 4FT fixture, increase the length by 47.52".
- ④ 8FT: L95.71" X W2.95" (2.3" Width Linear)
When continuous runs, each additional 8FT fixture, increase the length by 95.04".

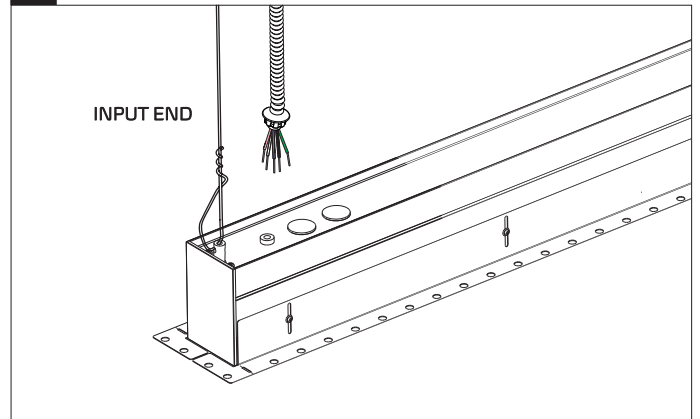
3. MULTIPLE LUMINAIRES CONNECTION L LINE :

- ① 2FT: L37.45" X W2.95" (2.3" Width Linear)
When continuous runs, each additional 2FT fixture, increase the length by 23.51".
- ② 3FT: L49.45" X W2.95" (2.3" Width Linear)
When continuous runs, each additional 3FT fixture, increase the length by 35.51".
- ③ 4FT: L61.46" X W2.95" (2.3" Width Linear)
When continuous runs, each additional 4FT fixture, increase the length by 47.52".
- ④ 8FT: L108.94" X W2.95" (2.3" Width Linear)
When continuous runs, each additional 8FT fixture, increase the length by 95.04".

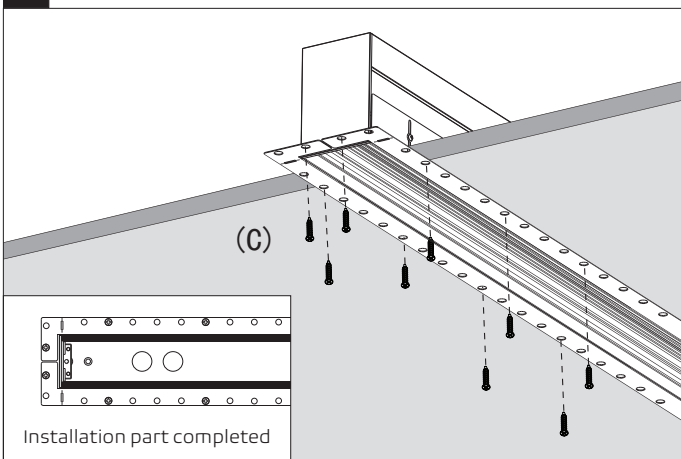
2 Secure both ends of the luminaire with safety ropes



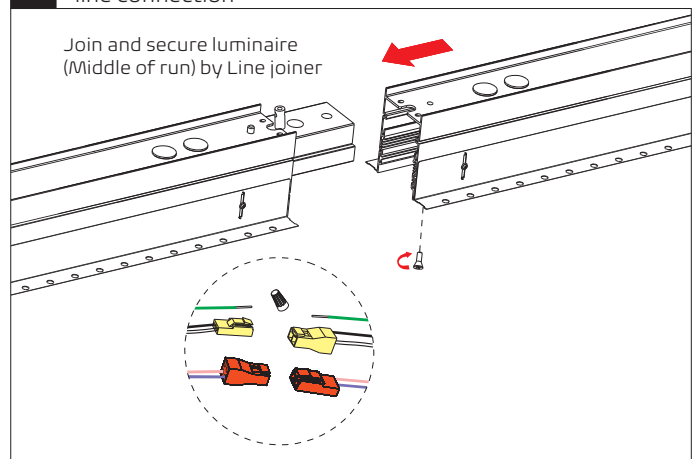
3 Wiring



4 Secure the luminaire to the ceiling by screws



5 Refer to steps 5-8 for installation of multiple luminaires -line connection

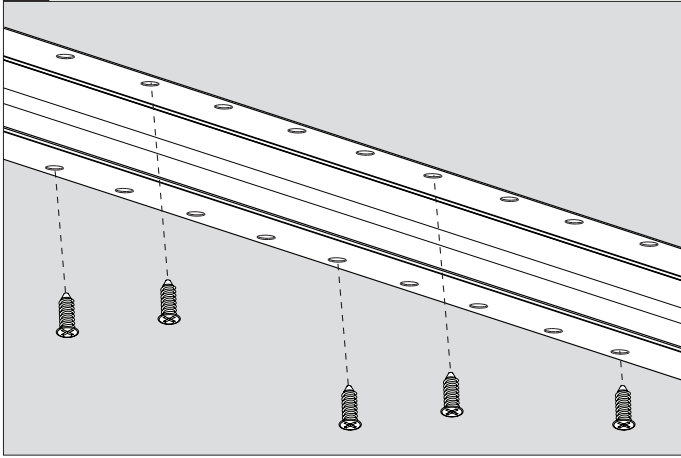


2.3" Width RECESSED LED

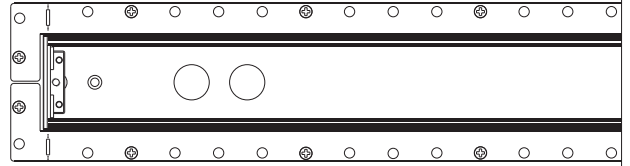
ARCHITECTURAL LED LUMINAIRE DRY CEILING - Trimless Drywall Wood Panel

⚠️ RISK OF FIRE AND ELECTRICAL SHOCK. FIXTURE MUST BE INSTALLED BY A QUALIFIED ELECTRICIAN ONLY IN ACCORDANCE WITH NATIONAL, LOCAL BUILDING AND ELECTRICAL CODES. DISCONNECT POWER AT ELECTRICAL PANEL BEFORE SERVICING.

6

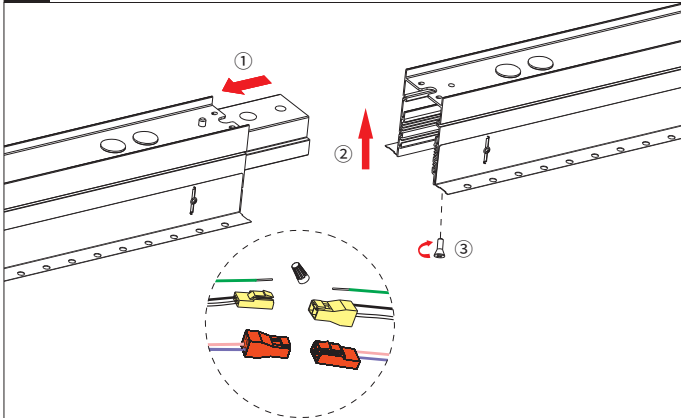


7



Repeat Steps 5-7 until the last luminaire (Middle of run) installation is complete

8

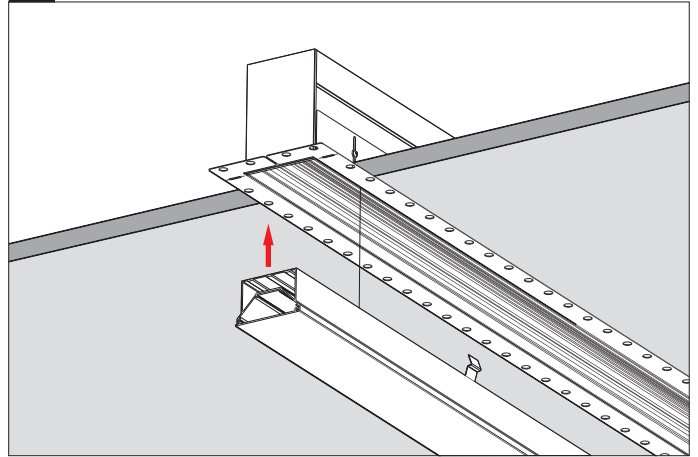


Secure the luminaire (End of run):

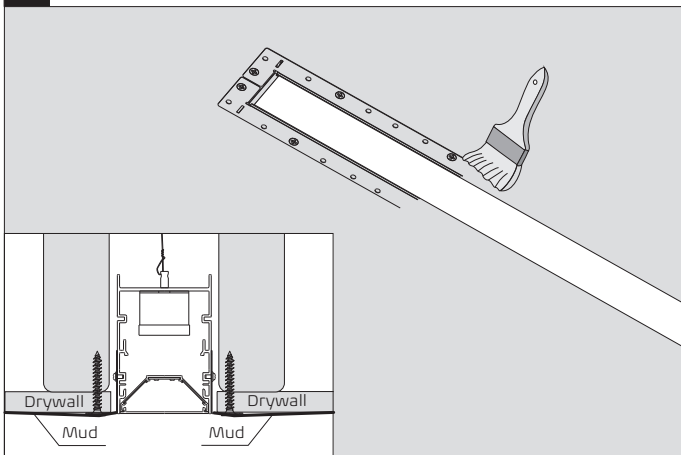
1. Slide the whole Line joiner into the last luminaire (Middle of run).
2. Connect the luminaire (End of run) with the last luminaire (Middle of run).
3. Slide the line joiner halfway into the luminaire (End of run) and secure by screws.

9

Plug the LED module into housing



10 Plaster and remove the film on the PC diffuser



11 Complete

