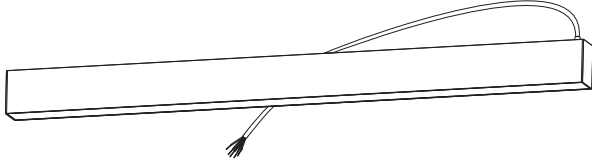


**!** RISK OF FIRE AND ELECTRICAL SHOCK. FIXTURE MUST BE INSTALLED BY A QUALIFIED ELECTRICIAN ONLY IN ACCORDANCE WITH NATIONAL, LOCAL BUILDING AND ELECTRICAL CODES. DISCONNECT POWER AT ELECTRICAL PANEL BEFORE SERVICING.

The product styles you received

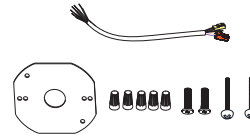
First style: finished product with power cord



Second style: finished product with separate power cord



Finished product without power cord



Power cord kits

Third style: semi-finished product



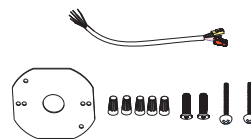
Housing



Down led module



End caps

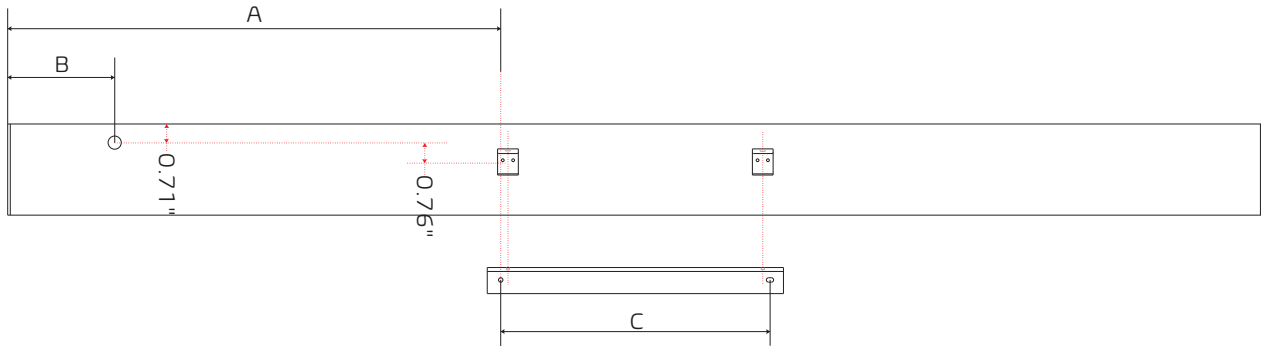


Power cord kits

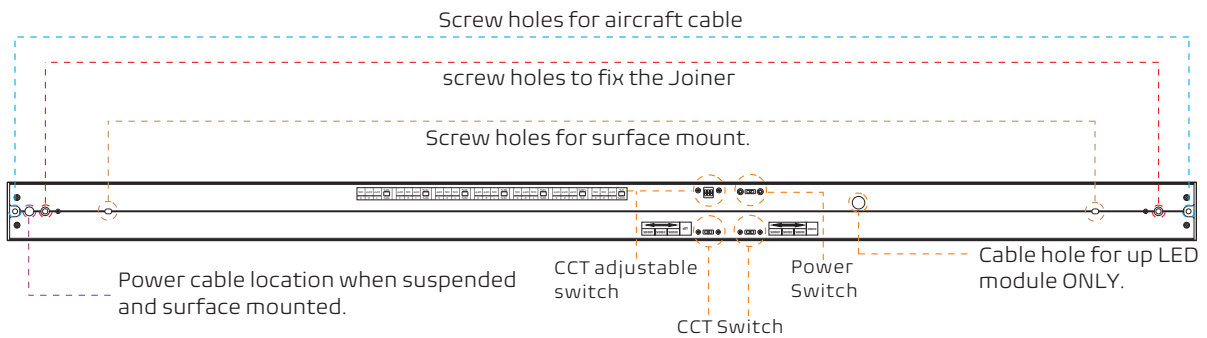
# 2.3" or 3.8" Width WALL MOUNT LED

## Architectural LED Luminaire Installation Instructions

**⚠ RISK OF FIRE AND ELECTRICAL SHOCK. FIXTURE MUST BE INSTALLED BY A QUALIFIED ELECTRICIAN ONLY IN ACCORDANCE WITH NATIONAL, LOCAL BUILDING AND ELECTRICAL CODES. DISCONNECT POWER AT ELECTRICAL PANEL BEFORE SERVICING.**



Nominal Length	3.8" Width Linear - Version 1			2.3" Width Linear - Version 2 2.3" Width Linear		
	"A" Inch	"B" Inch	"C" Inch	"A" Inch	"B" Inch	"C" Inch
2 ft.	6.73"	4.07"	10.24"	6.73"	4.07"	10.24"
3 ft.	12.74"	4.07"	10.24"	12.74"	4.07"	10.24"
4 ft.	18.74"	4.07"	10.24"	18.74"	4.07"	10.24"
8 ft.	42.50"	4.07"	10.24"	42.50"	4.07"	10.24"



# 2.3" or 3.8" Width WALL MOUNT LED

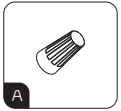
## Architectural LED Luminaire Independent Installation

**⚠️ RISK OF FIRE AND ELECTRICAL SHOCK. FIXTURE MUST BE INSTALLED BY A QUALIFIED ELECTRICIAN ONLY IN ACCORDANCE WITH NATIONAL, LOCAL BUILDING AND ELECTRICAL CODES. DISCONNECT POWER AT ELECTRICAL PANEL BEFORE SERVICING.**

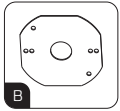
### IMPORTANT

1. Read all instructions.
2. Install in accordance with national and local electrical code regulations.
3. This product is intended to be installed and serviced by a qualified, licensed electrician.
4. Do not install in wet locations. For dry and damp use only.
5. Turn off electrical power before installing or servicing fixture in any way.
6. To reduce the risk of fire and overheating, make sure all connections are tight.
7. Under no circumstances can the lighting fixture be covered with heat insulation gasket or similar materials.
8. The maximum connection of each input line is 40FT(1200CM) in 120AC, 80FT(2400CM) in 230AC, 100FT(3000CM) in 277AC.

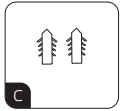
### ACCESSORY



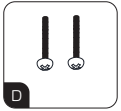
Wire Nut



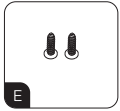
Square plate  
(Optional accessory)  
Noted: Square plate Compatible for 4" octagon, 4" round, 4" square and 2x4" rectangle junction boxes.



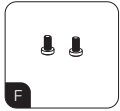
Anchor



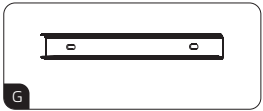
Screw



Screw



Screw

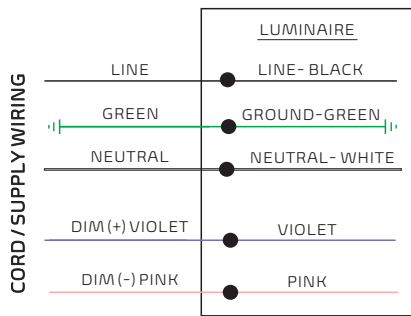


Wall Mounting Bracket



Butterfly Drywall Anchor

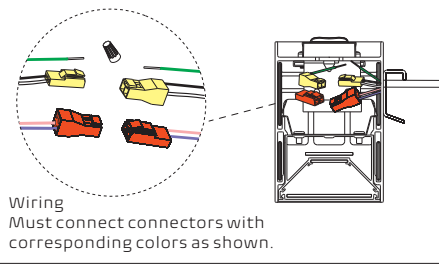
### WIRING



**⚠️ Please isolate two dimming wires by P2 terminal individually if no need dimming; MUST connect wires with corresponding colors as shown.**

### INDEPENDENT INSTALLATION

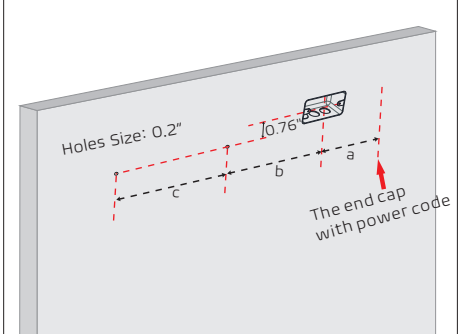
#### 1 Assemble Power Cord



Take off the end cap and LED modular, thread the power cord out of the housing as shown. Wiring and then remount LED modular and end cap.

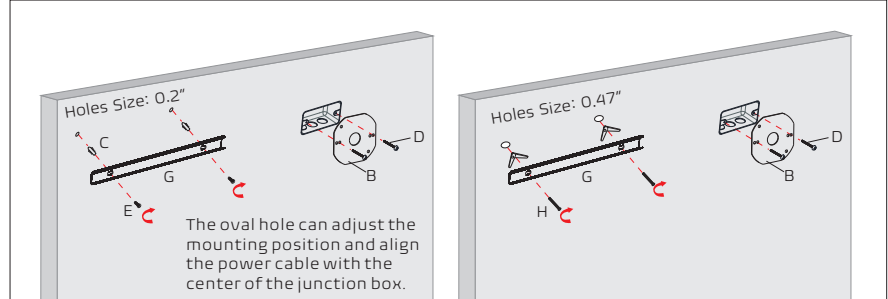
(The green ground wire is connected with a wire nut. Insert the yellow male and female to connect the black and white AC wire. Insert the orange male female to connect the purple, pink dimming wires.)

#### 2 Install mounting point on wall



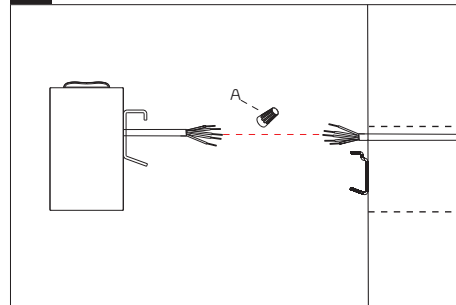
Nominal Length	3.8" Width Linear - Version 1			2.3" Width Linear - Version 2		
	"a"	"b"	"c"	"a"	"b"	"c"
2 ft.	0.34'	0.22'	0.85'	0.34'	0.22'	0.85'
3 ft.	0.34'	0.72'	0.85'	0.34'	0.72'	0.85'
4 ft.	0.34'	1.22'	0.85'	0.34'	1.22'	0.85'
8 ft.	0.34'	3.20'	0.85'	0.34'	3.20'	0.85'

#### 3 Install plate and bracket



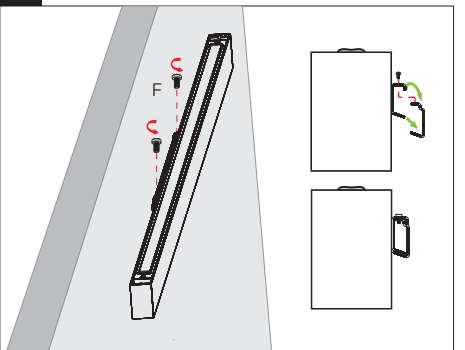
- 3-1: Insert Anchor "C" into hole and fix the wall mounting bracket "G" with screw "E".  
Remark: You can also fix the wall mounting bracket "G" with butterfly drywall anchor "H".
- 3-2: Mount the square cover plate "B" onto J-box with screw "D", then plastering.

#### 4 Wiring

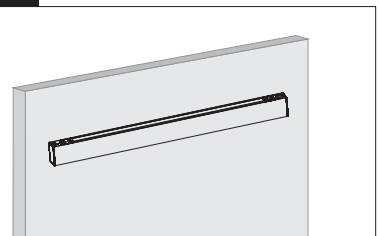


- 4-1: Using the wire nut "A" to connect AC wires and dimming wires.  
4-2: Hide all wires into the junction box.

#### 5 Mounting



#### 6 Complete



# 2.3" or 3.8" Width WALL MOUNT LED

## Architectural LED Luminaire Multiple Luminaires Connection

**! RISK OF FIRE AND ELECTRICAL SHOCK. FIXTURE MUST BE INSTALLED BY A QUALIFIED ELECTRICIAN ONLY IN ACCORDANCE WITH NATIONAL, LOCAL BUILDING AND ELECTRICAL CODES. DISCONNECT POWER AT ELECTRICAL PANEL BEFORE SERVICING.**

### ACCESSORY



"—" Joiner

### BEFORE CONNECTING

Disassemble luminaires



Start of run (SoR): Remove the end cap without power code, insert the joiner and fix it with screw.



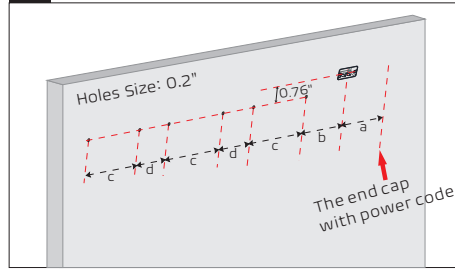
Middle of run (MoR): Remove both end caps, insert the joiner and fix it with screw.



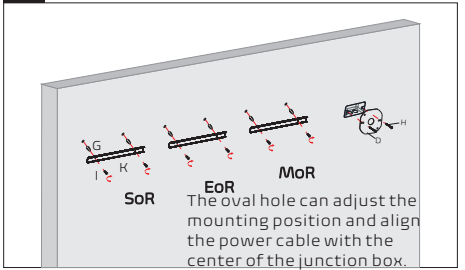
End of run (EoR): Remove the end cap with power code, insert the joiner and fix it with screw.

### MULTIPLE LUMINAIRES CONNECTION

1 Install mounting point on wall

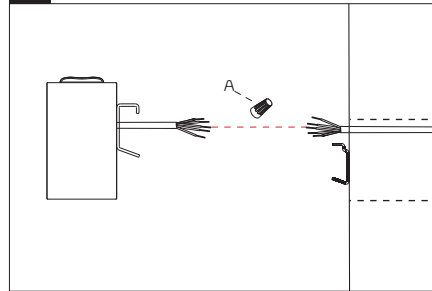


2 Install plate and bracket from SoR to EoR



Nominal Length	3.8" Width Linear - Version 1				2.3" Width Linear - Version 2			
	"a"	"b"	"c"	"d"	"a"	"b"	"c"	"d"
2 ft.	0.34'	0.22'	0.85'	1.11'	0.34'	0.22'	0.85'	1.11'
3 ft.	0.34'	0.72'	0.85'	2.11'	0.34'	0.72'	0.85'	2.11'
4 ft.	0.34'	1.22'	0.85'	3.11'	0.34'	1.22'	0.85'	3.11'
8 ft.	0.34'	3.20'	0.85'	7.07'	0.34'	3.20'	0.85'	7.07'

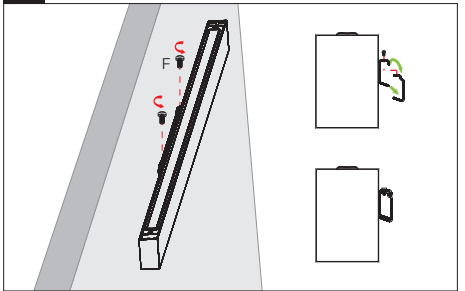
3 Wiring – SoR



3-1: Using the wire nut "A" to connect AC wires and dimming wires.

3-2: Hide all wires into the junction box.

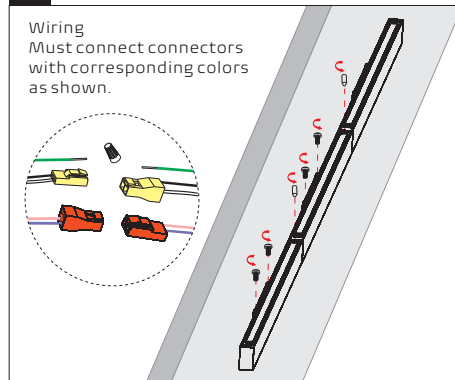
4 Mounting



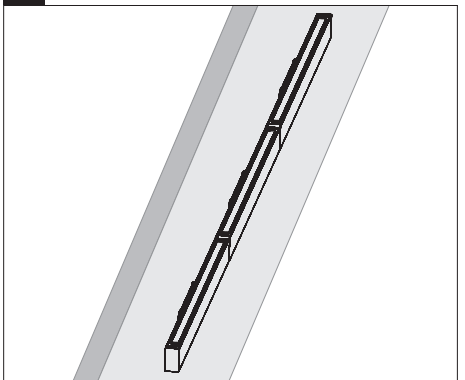
Match the hole position of the fixture and "wall mounting bracket", and mount the fixture onto wall with screw "F".

The position of luminaire can be adjusted by applying different screw hole on the bracket.

5 Repeat install and join steps - MoR to EoR



6 Complete



### Optional 42' Diffuser Lens Roll

