

Center Basket Troffer

Back-lit LED | 5 CCT & Wattage Adjustable



The recessed troffer comes in a 2' x 2' and 2' x 4' size for inverted t-grid ceilings with standard earthquake clips. This low-profile troffer features a center basket design with back-lit frosted polycarbonate lens which is available in five selectable lumen packages from 2,000 to 6,500 lumens and five CCT adjustable.

Designed not to yellow or crack, this luminaire offers a volumetric distribution pattern for wide spacing and uniform lighting on workspaces. This high performing luminaire with advanced light distribution delivers unprecedented energy savings ideal for schools, hospitals, office spaces, etc.

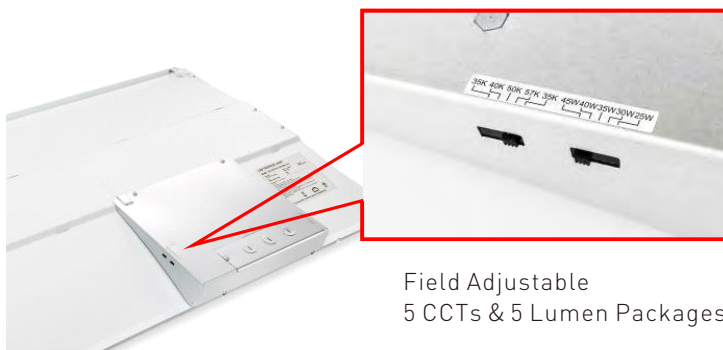


Feature

- Low profile and center basket design
- Five adjustable CCT from 3500k to 6500k
- Five selectable lumen packages from 2,000 to 6,500 lumens
- DLC Premium, up to 125lm/w
- Uniform and soft illumination with back-lit technology



*DesignLights Consortium Qualified and classified for DLC standard/premium, refer to www.designlights.org for details



Field Adjustable
5 CCTs & 5 Lumen Packages

Center Basket Troffer

Back-lit LED | 5 CCT & Wattage Adjustable



PRODUCT SPECIFICATIONS



2'x2' Troffer

JL-TRF22-M50W-CCT

Wattage Selectable	Delivered Lumen	Efficacy	CCT Adjustable
40W	5000LM	125LM/W	3500K/4000K/ 5000K/5700K/ 6500K
30W	3750LM	125LM/W	
25W	3250LM	130LM/W	
20W	2600LM	130LM/W	
15W	1950LM	130LM/W	

Based on 4000K, 80 CRI. All efficacy is $\pm 5\%$ base on different CCT and wattage. Check the IES file to gain the accurate data .



2'x4' Troffer

JL-TRF24-M50W-CCT

Wattage Selectable	Delivered Lumen	Efficacy	CCT Adjustable
50W	6250LM	125LM/W	3500K/4000K/ 5000K/5700K/ 6500K
40W	5000LM	125LM/W	
35W	4550LM	130LM/W	
30W	3900LM	130LM/W	
25W	3250LM	130LM/W	

Based on 4000K, 80 CRI. All efficacy is $\pm 5\%$ base on different CCT and wattage. Check the IES file to gain the accurate data .

Center Basket Troffer

Back-lit LED | 5 CCT & Wattage Adjustable



PRODUCT PERFORMANCE

Construction

Constructed of one-piece ribbed unitized housing and corners that interlock, preventing damage to luminaire. All sides and corners are turned in and hemmed, removing sharp edges for safe handling and installation.

Electrical

LED Driver	It is powered by high efficiency LED driver, with a standard 0-10V dimming which continuous dims to 10% that works with many types of controls. Tested Dimmers: LUTRON® NTSTV-, LUTRON® DVSTV, LEVITON® IP710, LEGRAND RH4FBL3.
THD	<20%
Power Factor	>0.9
Input Voltage	Standard electronic driver is UL recognized and available for 120-277V.

LED System

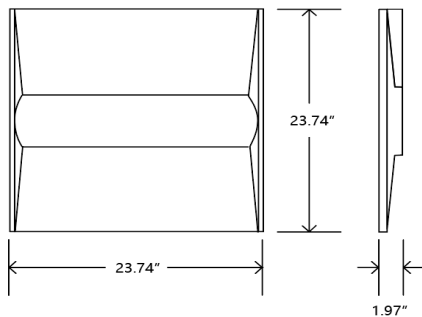
CRI	Minimum 80 color rendering index
CCT	5 CCT adjustable from 3500K, 4000K, 5000K, 5700K and 6500K with a great color consistency
LED	life Minimum 50,000h with 87.8% of lumen maintenance in 25°C ambient temperature, in compliance with IES LM-80 testing measurements.
Thermal Management	Aluminum housing acting as the heat sink to maximize life.
Environment	Damp rated in operating ambient temperatures of -20°C~40°C.

Approvals

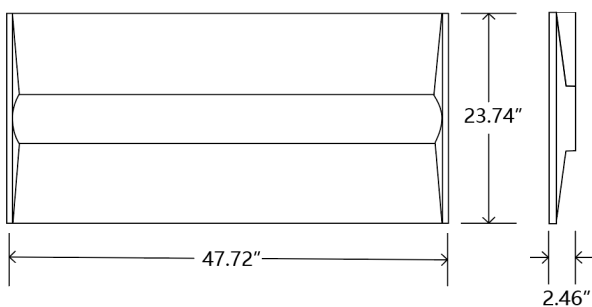
- ETL Listed
- DesignLights Consortium Qualified and classified for DLC
- Premium, refer to www.designlights.org for details
- 5 years limited warranty

DIMENSION

2x2ft



2x4ft



T-GRIDS CEILING COMPATIBILITY

It is architectural recessed lighting solution that compatible with most 15/16" and 9/16" t-grid systems for commercial and institutional environment. The following are only as some common examples to show.

9/16" Flat



Suprafine® XL

9/16" Slot



Silhouette® 1/4" XL



Silhouette® 1/8" XL

9/16" Interlude



Interlude® XL



Sonata® XL

15/16" Flat



Prelude® XL



Clean Room

*Please verify compatibility with factory.

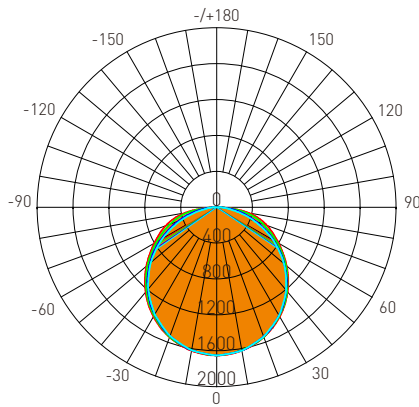
Center Basket Troffer

Back-lit LED | 5 CCT & Wattage Adjustable



DISTRIBUTION DIAGRAM

2'x2' / 3500K



AVERAGE BEAM ANGLE(50%): 114.2°

Lumens: 4902.7 Lm
Watts: 40W
LPW: 115.97Lm/W
CCT: 3500K

UNIT: cd
 - C0/180,117.7°
 - C30/210,115.6°
 - C60/240,112.5°
 - C90/270,111.0°

Zonal Flux Diagram

τ	C0	C45	C90	C135	C180
5	1645	1638	1637	1638	1645
10	1623	1617	1623	1618	1624
15	1589	1585	1579	1587	1589
20	1540	1531	1535	1533	1541
25	1480	1471	1463	1473	1482
30	1408	1396	1392	1399	1410
35	1324	1309	1299	1313	1327
40	1231	1216	1205	1222	1234
45	1128	1108	1092	1113	1133
50	1019	1000	979.1	1004	1025
55	906.7	876.2	850.4	883.3	914.2
60	798.5	754.3	721.6	764.0	805.9
65	695.8	630.3	581.8	639.9	704.9
70	599.6	512.4	441.9	522.5	606.7
75	493.7	400.5	305.0	411.6	496.9
80	366.6	281.9	168.1	291.5	365.8
85	162.4	150.6	86.45	156.5	147.8
90	3.171	4.785	4.763	4.609	4.411
DEG	LUMINOUS INTENSITY:cd				

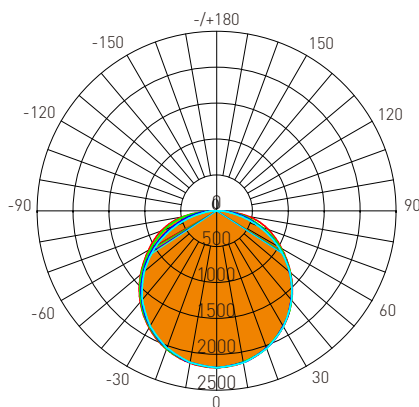
Zonal Lumens

τ	φ total
0-5	39.29
5-10	155.7
10-15	345.5
15-20	601.9
20-25	916.4
25-30	1278
30-35	1676
35-40	2096
40-45	2525
45-50	2949
50-55	3355
55-60	3731
60-65	4067
65-70	4356
70-75	4592
75-80	4767
80-85	4871
85-90	4903
	UNIT: lm

Luminance cd/(m2)

G(DEG)	C0/180	C90/270
85	5176	2755
80	5864	2690
75	5298	3274
70	4870	3589
65	4574	3824
60	4436	4009
55	4391	4118
50	4406	4231
45	4433	4289

2'x4' / 3500K



AVERAGE BEAM ANGLE(50%): 115.9°

Lumens: 6581.2 Lm
Watts: 50W
LPW: 129.41Lm/W
CCT: 3500K

UNIT: cd
 - C0/180,118.6°
 - C30/210,117.1°
 - C60/240,114.6°
 - C90/270,113.5°

Zonal Flux Diagram

τ	C0	C45	C90	C135	C180
5	2173	2166	2167	2169	2177
10	2144	2138	2149	2145	2152
15	2099	2097	2095	2107	2109
20	2035	2027	2040	2050	2034
25	1956	1951	1951	1966	1975
30	1861	1855	1862	1872	1884
35	1751	1742	1743	1764	1778
40	1627	1621	1624	1647	1659
45	1490	1479	1477	1506	1527
50	1345	1336	1330	1365	1386
55	1193	1171	1160	1206	1240
60	1046	1008	989.1	1048	1098
65	904.9	840.3	800.4	882.4	964.3
70	768.6	681.2	611.7	717.3	828.8
75	622.9	530.3	424.2	550.3	671.1
80	455.1	367.7	236.8	383.9	488.2
85	210.5	191.2	122.6	204.4	210.7
90	4.488	6.035	8.465	6.436	5.743
DEG	LUMINOUS INTENSITY:cd				

Zonal Lumens

τ	φ total
0-5	51.98
5-10	206.1
10-15	457.6
15-20	797.9
20-25	1216
25-30	1699
30-35	2231
35-40	2794
40-45	3371
45-50	3943
50-55	4493
55-60	5002
60-65	5459
65-70	5848
70-75	6161
75-80	6393
80-85	6535
85-90	6581
	UNIT: lm

Luminance cd/(m2)

G(DEG)	C0/180	C90/270
85	3354	1954
80	3640	1894
75	3343	2277
70	3121	2484
65	2974	2630
60	2906	2748
55	2890	2808
50	2906	2874
45	2927	2901