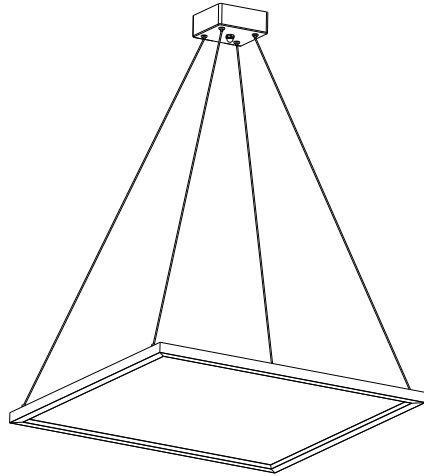


2' x 2' **Suspended** **LED**

UP / DOWN LINEAR LED LUMINAIRE
INSTALLATION INSTRUCTIONS



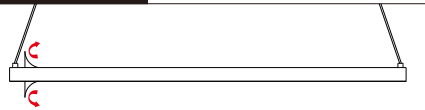
RISK OF FIRE AND ELECTRICAL SHOCK. FIXTURE MUST BE INSTALLED BY A QUALIFIED ELECTRICIAN ONLY IN ACCORDANCE WITH NATIONAL, LOCAL BUILDING AND ELECTRICAL CODES. DISCONNECT POWER AT ELECTRICAL PANEL BEFORE SERVICING.



IMPORTANT

1. Read all instructions.
2. Install in accordance with national and local electrical code regulations.
3. This product is intended to be installed and serviced by a qualified, licensed electrician.
4. Do not install in wet locations. For dry and damp use only.
5. Turn off electrical power before installing or servicing fixture in any way.
6. To reduce the risk of fire and overheating, make sure all connections are tight.
7. Under no circumstances can the lighting fixture be covered with heat insulation gasket or similar materials.

ATTENTION

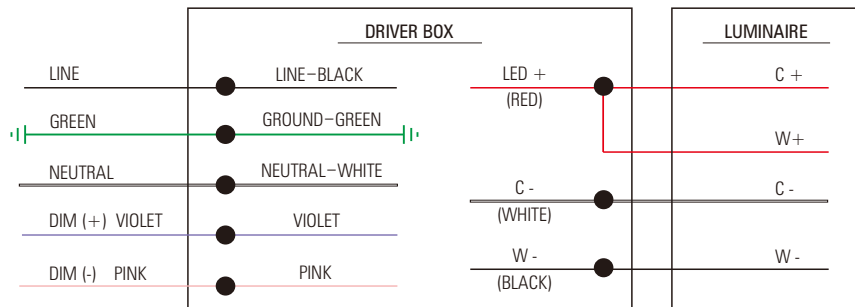


Leave the protective protective films on the fixtures until construction and furniture are complete.



SHOCK HAZARD!
May result in serious injury or death. Turn power OFF at circuit breaker prior to installation or servicing.

WIRING DIAGRAM



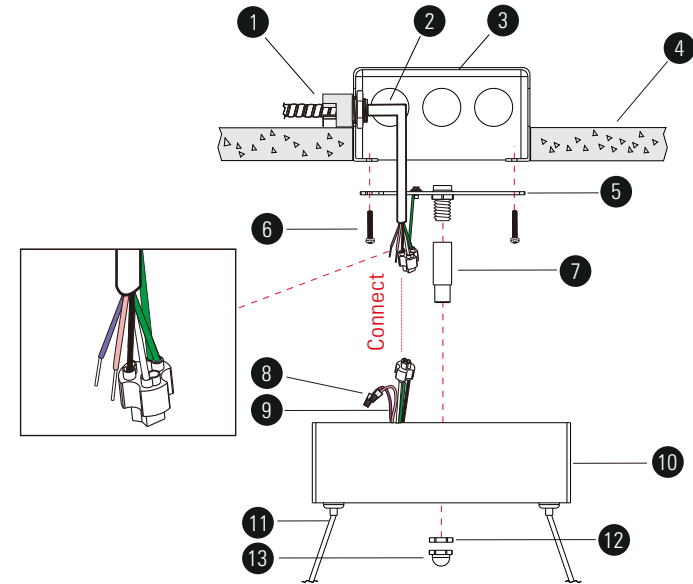
2' x 2' **Suspended** **LED**

UP / DOWN LINEAR LED LUMINAIRE
INSTALLATION INSTRUCTIONS



RISK OF FIRE AND ELECTRICAL SHOCK. FIXTURE MUST BE INSTALLED BY A QUALIFIED ELECTRICIAN ONLY IN ACCORDANCE WITH NATIONAL, LOCAL BUILDING AND ELECTRICAL CODES. DISCONNECT POWER AT ELECTRICAL PANEL BEFORE SERVICING.

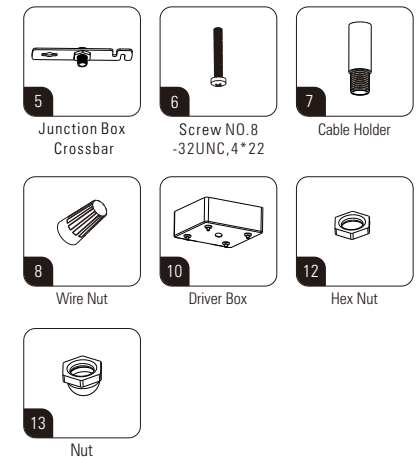
DRY CEILING



⚠ Connect DC wires correctly according to the label.

PARTS LIST

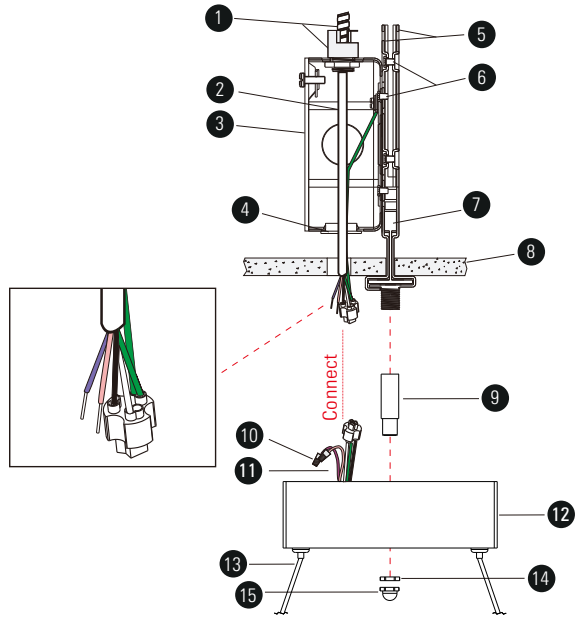
- 1 Armored Cable & Connector (By Others)
- 2 AC Input (By Others)
- 3 J-Box (By Others)
- 4 Drywall Ceiling (By Others)
- 5 Junction Box Crossbar
- 6 Screw NO.8-32UNC,4*22
- 7 Cable Holder
- 8 Wire Nut
- 9 AC Input Of Driver
- 10 Driver Box
- 11 DC Input
- 12 Hex Nut
- 13 Nut





RISK OF FIRE AND ELECTRICAL SHOCK. FIXTURE MUST BE INSTALLED BY A QUALIFIED ELECTRICIAN ONLY IN ACCORDANCE WITH NATIONAL, LOCAL BUILDING AND ELECTRICAL CODES. DISCONNECT POWER AT ELECTRICAL PANEL BEFORE SERVICING.

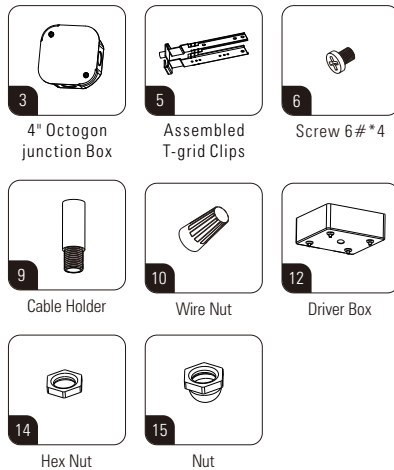
DROP CEILING - T-GRID CLIPS



⚠ Connect DC wires correctly according to the label.

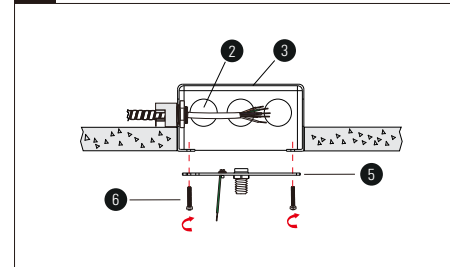
▶ PARTS LIST

- 1 Armored Cable & Connector (By Others)
- 2 Power Cord (By Others)
- 3 4" Octagon Junction Box
- 4 Plastic Grommet
- 5 Assembled T-grid Clips
- 6 Screw 6#*4
- 7 T-grid (By Others)
- 8 Ceiling Tile (By Others)
- 9 Cable Holder
- 10 Wire Nut
- 11 AC Input Of Driver
- 12 Driver Box
- 13 DC Input
- 14 Hex Nut
- 15 Nut



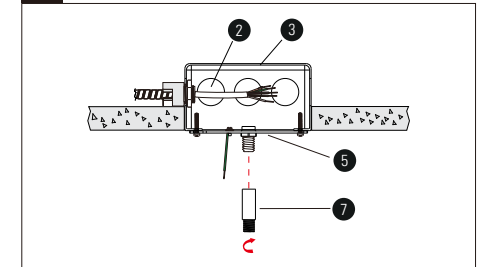
RISK OF FIRE AND ELECTRICAL SHOCK. FIXTURE MUST BE INSTALLED BY A QUALIFIED ELECTRICIAN ONLY IN ACCORDANCE WITH NATIONAL, LOCAL BUILDING AND ELECTRICAL CODES. DISCONNECT POWER AT ELECTRICAL PANEL BEFORE SERVICING.

1 Install the J-box crossbar



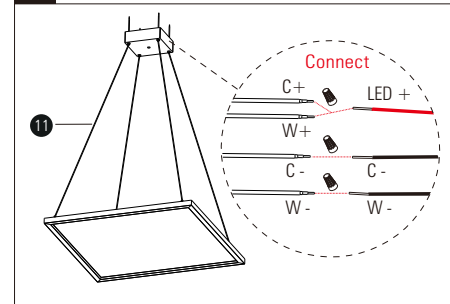
Secure the J-box crossbar (5) on the J-Box by screw (6).

2 Install cable holder



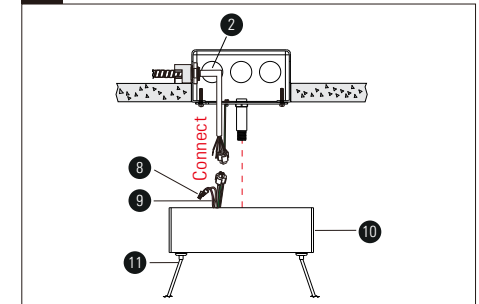
Screw the cable holder on to the J-box crossbar.

3 DC Wiring



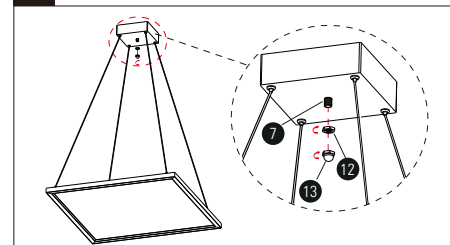
a. Pass the four DC input cables of the lamp through the four connectors at the bottom of the driver box to the inside of the driver box.
b. Connect the DC output cable in the driver box to the four DC input cables of the lamp using a wire nut (8) according to the label on the DC cable.

4 AC Wiring



a. Insert the AC input cable (2) and the green ground cable in the J-box crossbar into the female connector in the driver box according to the corresponding color, so that the AC input cable is correctly connected to the AC input cable of the power supply.
b. Connect the dimming wires with a wire nut.

5 Secure the drive box



Cover the driver box on the ceiling, pass the cable holder (7) on the J-box crossbar through the middle hole of the power box, and then screw with nuts (12) and (13) in turn to secure the driver box.

6 Complete

