





## Emergency Lighting Is Code Required

Emergency lighting is a vital part of a facility's life safety program. Local, state and national building codes require reliable and sufficient emergency illumination for commercial, industrial and institutional buildings in the United States. When normal power fails for any reason, emergency lighting provides critical illumination. It helps to guide building occupants along the path of egress to the nearest exit.



# WHY OKT?

## Experienced

OKT emergency drivers have been handling any lighting outage since 2013. And now, they have been upgraded to Gen 3 in 2020.

## Reliable

Annual sales are more than 100,000PCS. We made many projects all over in the United State, including office building, shopping mall, school, hospital, hotel, etc.

## Wide Compatibility

We vertically upgrade our product line to Gen2, and now Gen3. These emergency drivers can work with most LED luminaries up to 300W.

## Innovation

We constantly review our existing product line and apply the most updated technologies to ensure product competitive advantage.





# Multiple Mounting Configurations

OKT emergency LED drivers work in conjunction with LED fixtures to serve as code-compliant emergency lighting sources. The emergency drivers can be installed inside, on top of, or remotely from the fixture, depending on the product, fixture and application.

- **Dual Flex (Standard)**

Provides dual flex for wiring to both the fixture or driver compartment and test accessories.



- **Single Flex (Optional)**

Mounts to the junction box and provides flexible conduit for remote mounting of the test accessories.



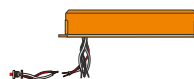
- **Integral Non-Flex (Optional)**

Allows for integral installation within the driver compartment. May also be mounted atop the fixture when used with a TMK cover accessory.



- **Top-Mount Non-Flex (Optional)**

Top-mounting option for running wires directly into the driver compartment. Test accessories are then installed within the fixture.





## Code-Required Testing

More secure, more rigorous than the standard requirements.

- **Initial Self-Test After Installation**

It will perform a functional test in 3 seconds after the driver installed to check the wiring and battery output when work. The indicator LED will be off or flicker in case of a failure or an error.

- **Second Self-Test In 120 Minutes**

It will perform second test in 120 minutes to check again.  
**Upgrade in Gen 3: Repeat 4 times in every 120 minutes if fail in the second test.**

- **Monthly Self-Test**

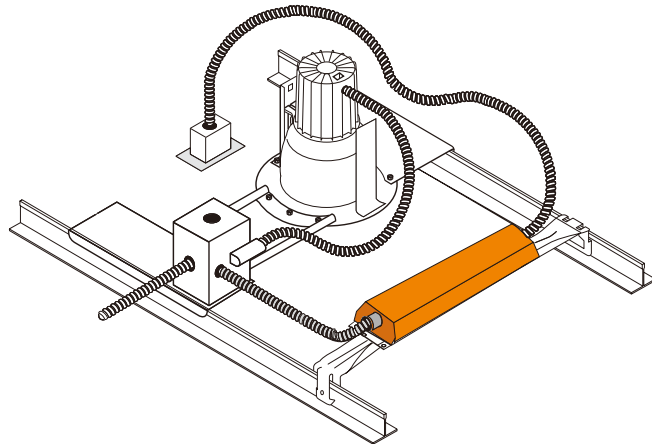
It will automatically perform a test every 30 days with a duration of 3 seconds, in which the wiring and battery output are checked. In case of a failure or an error, the indicator LED will be off or flicker.

# LED Emergency Driver For Field Installation

OKT offers UL& CEC Listed and field-installable emergency LED drivers. All of the OKT LED driver portfolio is UL listed for installation in the field.

## Benefits:

- ✓ Eliminate factory installed up charges.
- ✓ Eliminate the legwork involved in the field-install process associated with UL Classified emergency LED drivers.





# City and State often has building codes that Emergency backup (EM) work with a wide range of lighting applications.



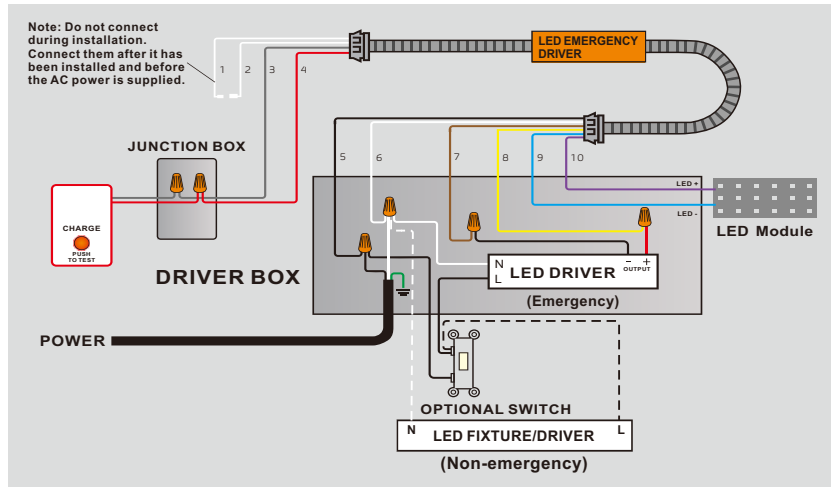




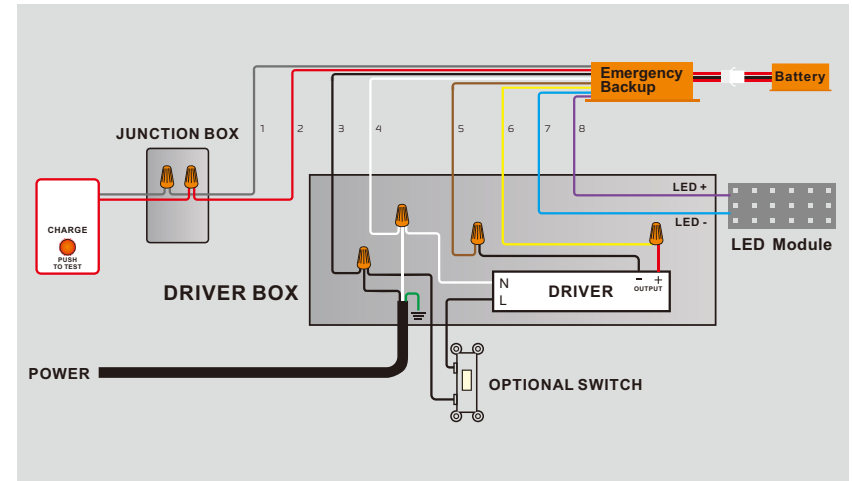




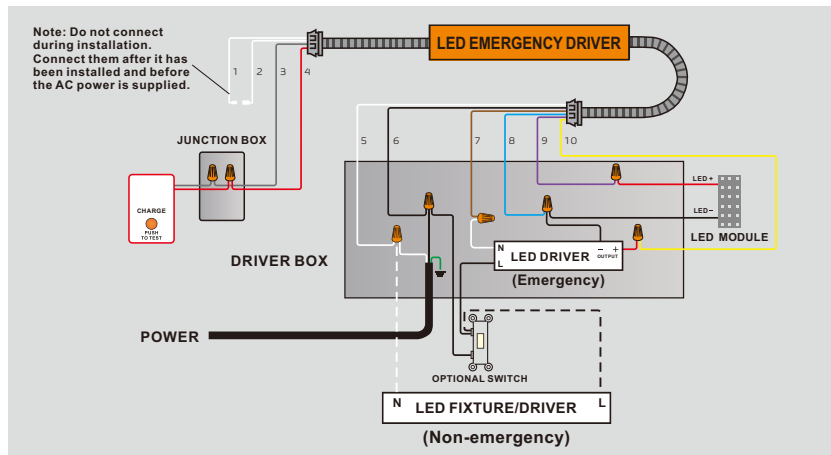
### Pack - Low Voltage - 8W



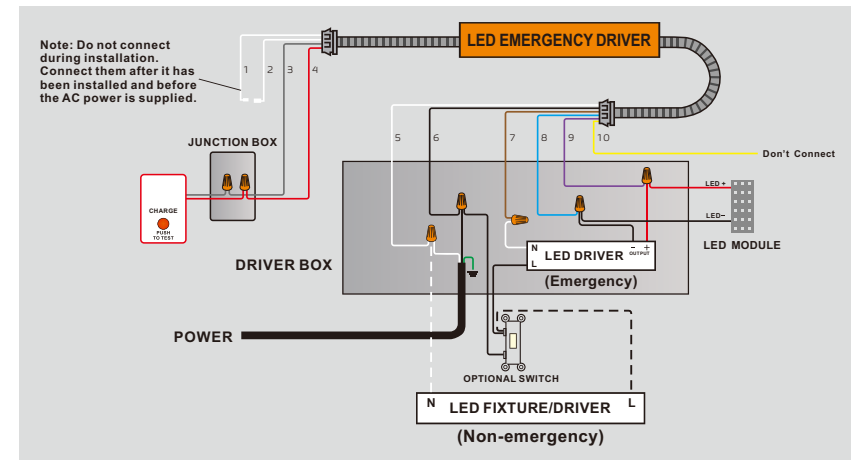
### Split - Low Voltage - 8W



### Pack - Low Voltage - 25W



For LED luminaires less than 100W Current Of Yellow Wire: 4A(Max)



For LED luminaires over 100W

